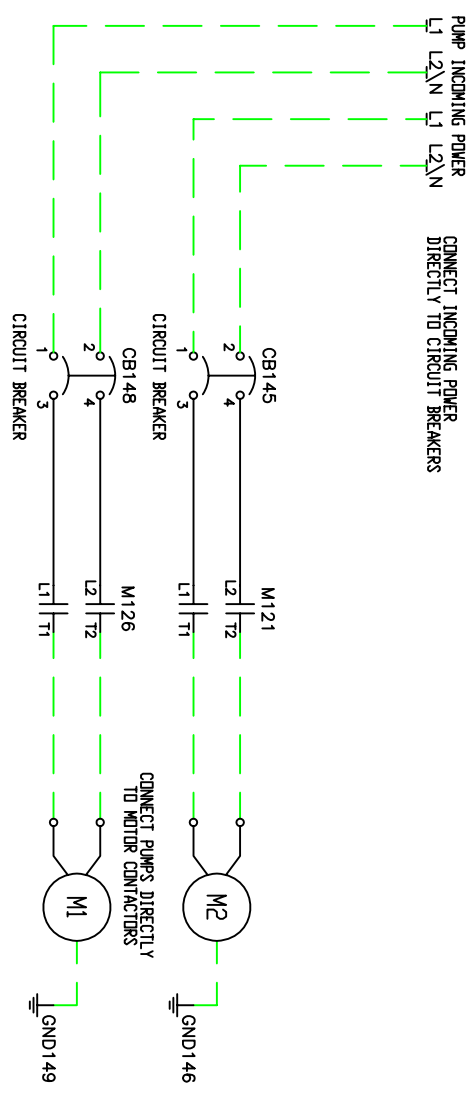
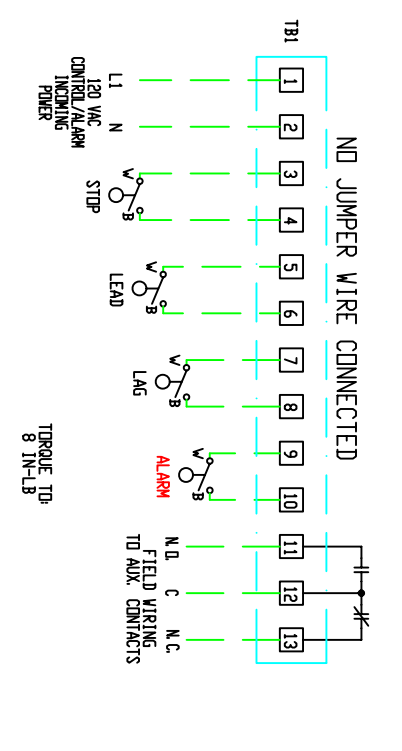


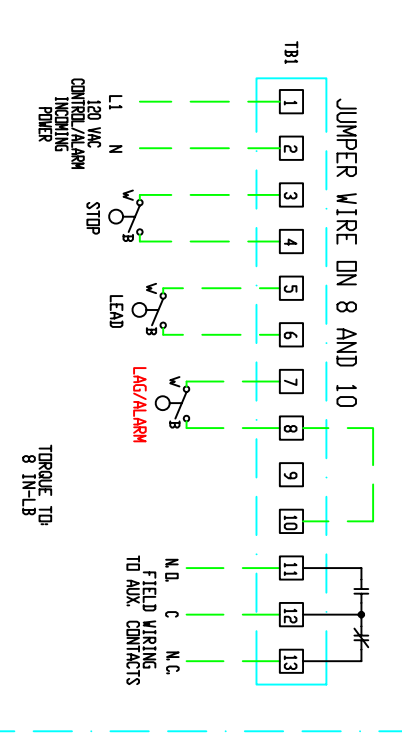
141	142	143	144	145	146	147	148	149	150	151	152	153	154	155	156	157	158	159	160	161	162	163	164	165	166	167	168	169	170	171	172	173	174	175	176	177	178	179	180	181
-----	-----	-----	-----	-----	-----	-----	-----	-----	-----	-----	-----	-----	-----	-----	-----	-----	-----	-----	-----	-----	-----	-----	-----	-----	-----	-----	-----	-----	-----	-----	-----	-----	-----	-----	-----	-----	-----	-----	-----	-----



FOUR FLOAT OPERATION

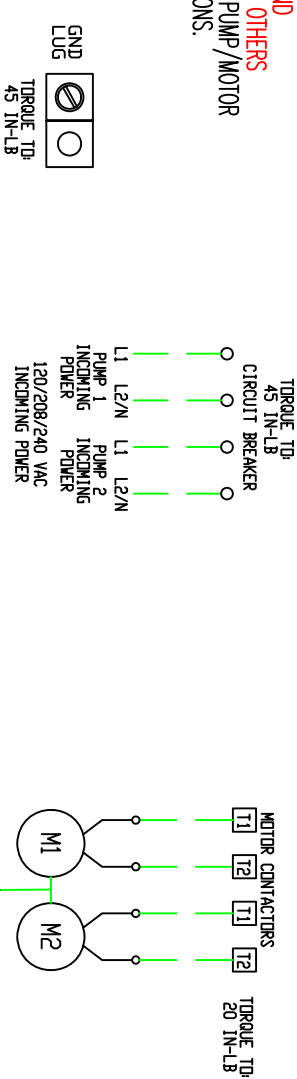


THREE FLOAT OPERATION



OVERLOAD PROTECTION AND MAIN DISCONNECT PROVIDED BY OTHERS AND MUST BE SIZED ACCORDING TO PUMP/MOTOR MANUFACTURING SPECIFICATIONS.

THE USE OF SEPARATE POWER SOURCES FOR PUMP AND ALARM ARE RECOMMENDED



TEMPERATURE RATING OF FIELD INSTALLED CONDUCTORS MUST BE AT LEAST 140 DEG. F. (<60 DEG. C.). TERMINAL STRIPS AND GROUND LUG USE COPPER CONDUCTORS ONLY.
CONNECT GROUND LUG IN PANEL TO A SECURE EARTH GROUND
DASHED LINES REPRESENT FIELD WIRING

ACTUAL MODEL NUMBER ORDERED

REV.	CTRL FOR 1018001	DATE	DRWN BY	CHKD BY	DATE	APPD BY	DATE	PROJECT NO.	1018001	QUOTE NO.	N/A	REV.
5		11/2/05	GDV	GDV	11/2/05		11/23/05	TITLE				A
A		11/05/05	GDV	GDV	11/2/05		11/23/05					
ECO	NO.	DATE	DRWN	APPD	DATE	APPD	DATE					

WAS: 1221*(0,1,2,3)(H,X)6A*

