

MOTOR CONDUCTOR

U-2M-2
U3
U3

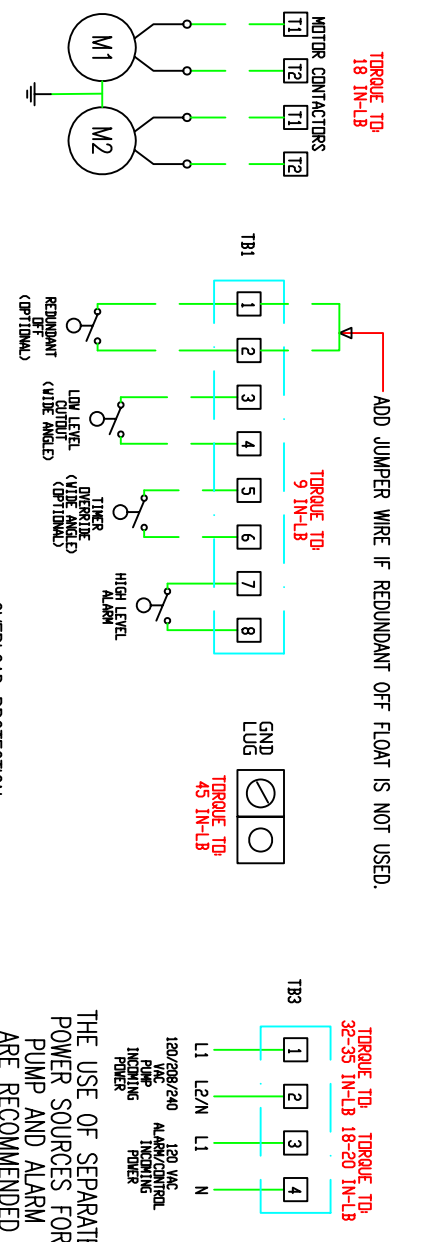
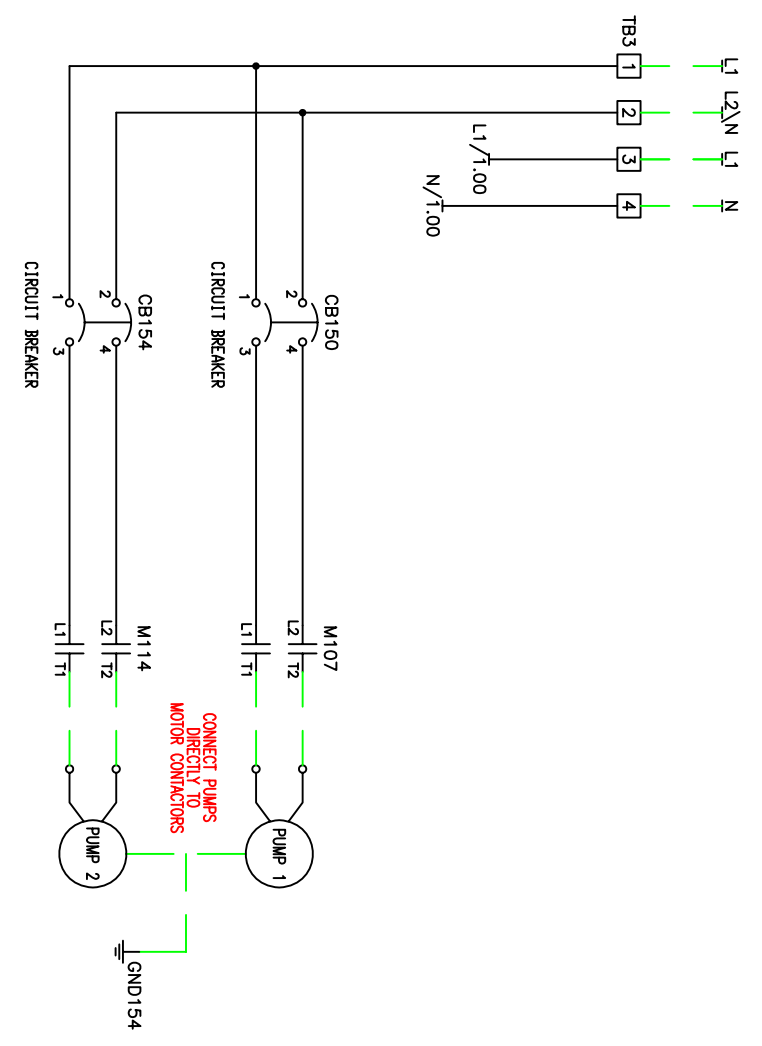
MOTOR CONDUCTOR

U-2M-2
U3
U3

1	3
122	
1	4

4	8
127	
4	8
135	

141 142 143 144 145 146 147 148 149 150 151 152 153 154 155 156 157 158 159 160 161 162 163 164 165 166 167 168 169 170 171 172 173 174 175 176 177 178 179 180 181



TEMPERATURE RATING OF FIELD INSTALLED CONDUCTORS MUST BE AT LEAST 140 DEG. F. (60 DEG. C.). TERMINAL STRIPS AND GROUND LUG USE COPPER CONDUCTORS ONLY.  
 DASHED LINES REPRESENT FIELD WIRING

FIELD WIRING SECTION

OVERLOAD PROTECTION AND MAIN DISCONNECT PROVIDED BY OTHERS AND MUST BE SIZED ACCORDING TO PUMP/MOTOR MANUFACTURING SPECIFICATIONS.

THE USE OF SEPARATE POWER SOURCES FOR PUMP AND ALARM ARE RECOMMENDED

ENCL	BP	ENCLP
LT	LBLS	PKG X-TBA

REV.	CNTRL FOR P4683	DATE	BY	CHKD BY	DATE	APPD BY	DATE

REV.	ECU NO.	DATE	DRWN	APPD

NOTICE: THIS DRAWING CONTAINS PROPRIETARY INFORMATION AND IT SHALL NOT BE USED OR REPRODUCED OR ITS CONTENTS DISCLOSED IN WHOLE OR IN PART, WITHOUT PRIOR WRITTEN CONSENT.

DRWN BY SJA 10/7/04  
 CHD BY SJA 10/7/04  
 ENCL P/N N/A

APPD BY GJV 10/11/04  
 PACE SCALE DIM SIZE 1 of 1 NONE D

PROJECT NO. P4739  
 TITLE

DATE 10/11/04  
 SCALE NONE  
 SIZE D

QUOTE NO. N/A  
 REV. A

STE Rhombus CONTROLS