

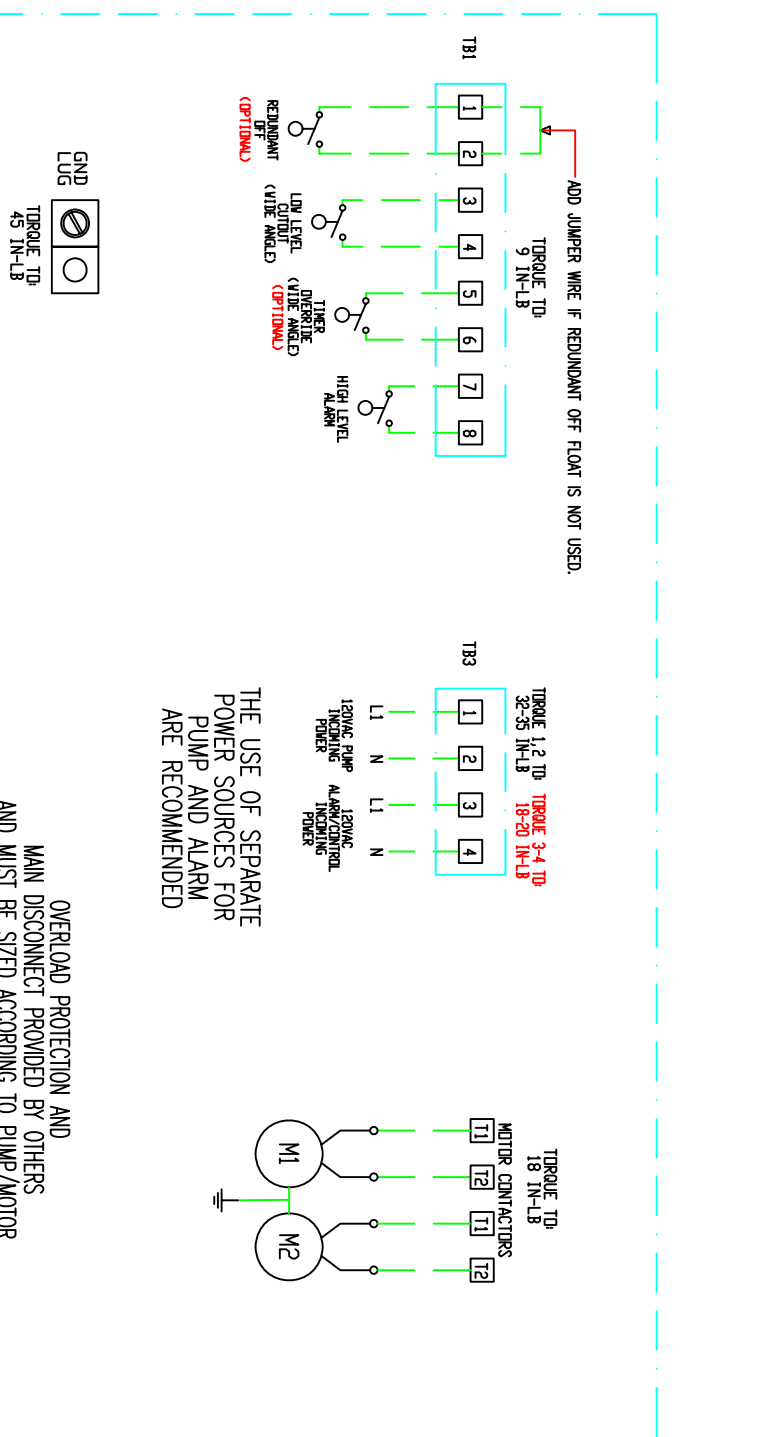
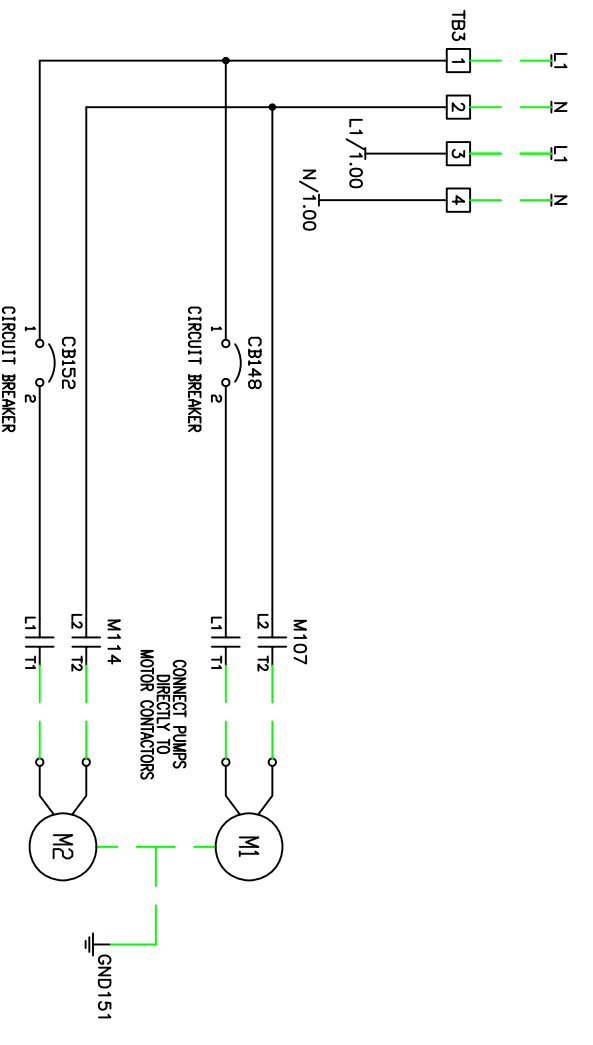
PUMP 1 MOTOR CONTACTOR	
U	U2-01-2
V	V17
W	W14
X	X1

PUMP 2 MOTOR CONTACTOR	
U	U2-01-2
V	V17
W	W14
X	X1

TIMER (REPEAT CYCLE)	
U	U13
V	V12
W	W14
X	X1

ALARM SILENCE	
U	U40-03
V	V17
W	W40-03
X	X15

141
142
143
144
145
146
147
148
149
150
151
152
153
154
155
156
157
158
159
160
161
162
163
164
165
166
167
168
169
170
171
172
173
174
175
176
177
178
179
180
181



TEMPERATURE RATING OF FIELD INSTALLED CONDUCTORS MUST BE AT LEAST 140 DEG. F. (60 DEG. C.). TERMINAL STRIPS AND GROUND LUG USE COPPER CONDUCTORS ONLY.

CONNECT GROUND LUG IN PANEL TO A SECURE EARTH GROUND

DASHED LINES REPRESENT FIELD WIRING

FIELD WIRING SECTION

OVERLOAD PROTECTION AND MAIN DISCONNECT PROVIDED BY OTHERS AND MUST BE SIZED ACCORDING TO PUMP/MOTOR MANUFACTURING SPECIFICATIONS.

THE USE OF SEPARATE POWER SOURCES FOR PUMP AND ALARM ARE RECOMMENDED

ENCL	BP ENV/LF PLUG
LIT	LEBS PKG K-T84

REV.	CHNL FOR DTG(S)	REV.	ECO NO.	DATE	DRWN	APPD

NOTICE: THIS DRAWING CONTAINS PROPRIETARY INFORMATION AND IT SHALL NOT BE USED OR REPRODUCED OR ITS CONTENTS DISCLOSED IN WHOLE OR IN PART WITHOUT PRIOR WRITTEN CONSENT.

DESIGNED BY	DATE	CHECKED BY	DATE	APPROVED BY	DATE
SJA	5/24/05	SJA	5/24/05	JJ	5/24/05

SCALE: 1/8"=1'-0"

PROJECT NO. P5369

QUOTE NO. N/A

REV. A

STE-Phombus CONTROLS