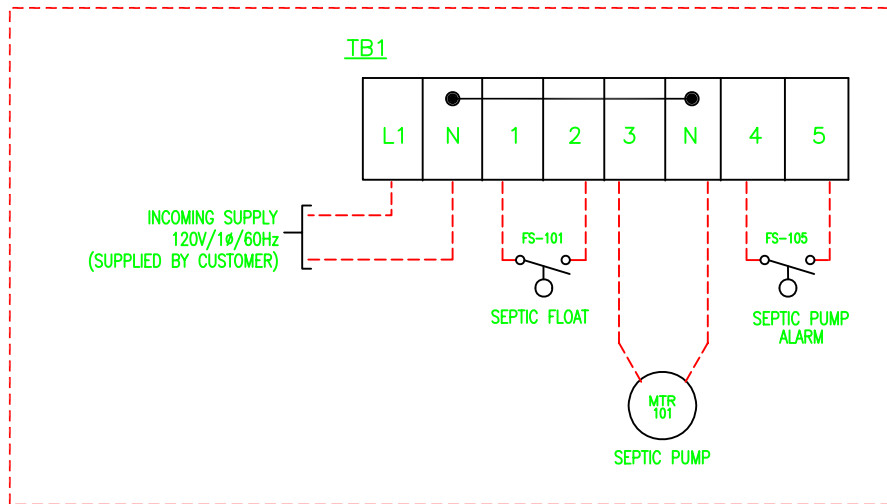


FIELD WIRING CONNECTIONS



9						<p>IDT Systems Inc. INNOVATIVE DESIGN TECHNOLOGIES 650 Woodlawn Road West Block C, Units 5-8-6 Guelph, Ontario, N1K 1E9 Phone: (519) 837-5505 Fax: (519) 837-5539</p>	DESIGNED BY	B. BROHMAN
8							DRAWN BY	BJB
7							DRAWN DATE	17APRO4
6							APPROVED BY	
5							APPROVED DATE	
4							SCALE	NTS
3							CUSTOMER	WATERLOO BIO
2							CAD REFERENCE	S-DOSING
1							SHEET NO	1
REF:	DESCRIPTION	DATE	BY	CHD	REF:			S-DOSING