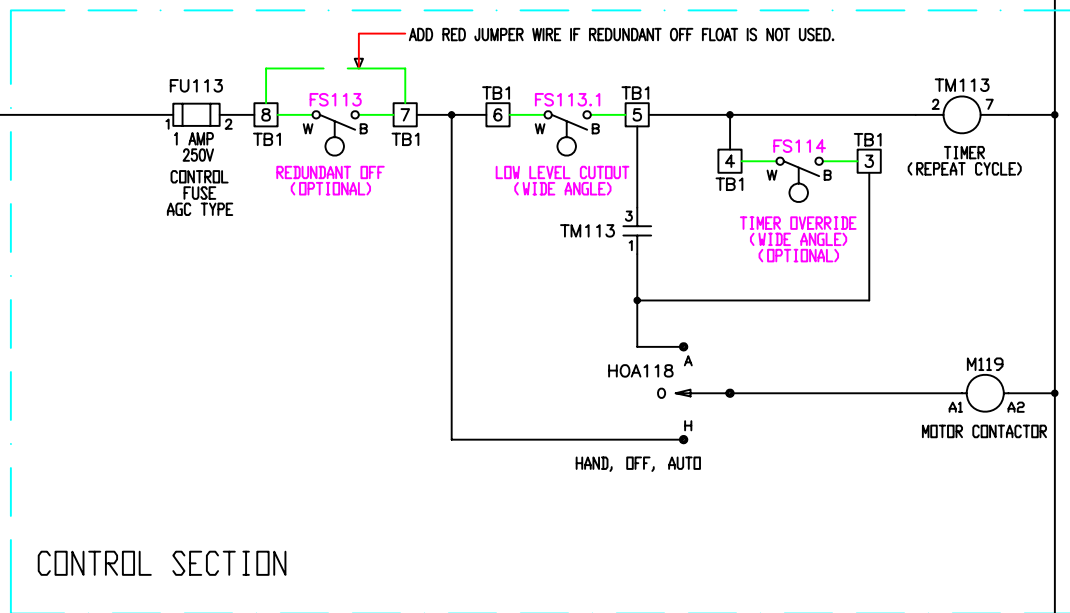
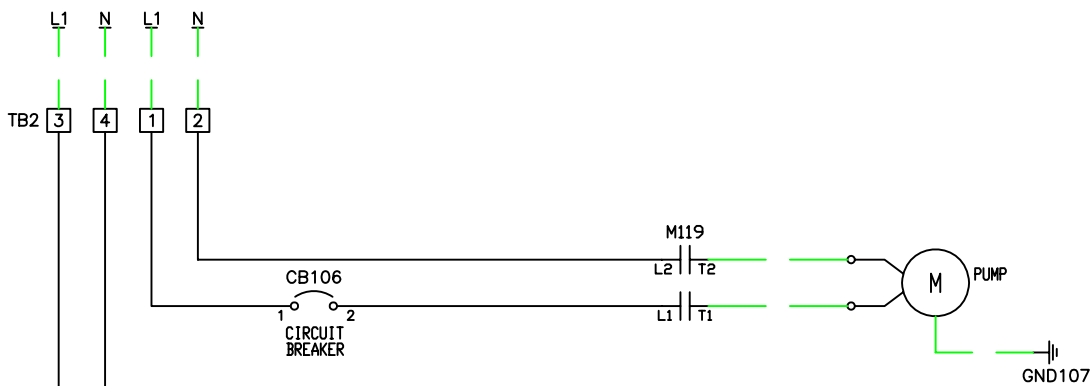


100
101
102
103
104
105
106
107
108
109
110
111
112
113
114
115
116
117
118
119
120
121
122
123
124
125
126
127
128
129
130
131
132
133
134
135
136
137
138
139
140

141
142
143
144
145
146
147
148
149
150
151
152
153
154
155
156
157
158
159
160
161
162
163
164
165
166
167
168
169
170
171
172
173
174
175
176
177
178
179
180
181

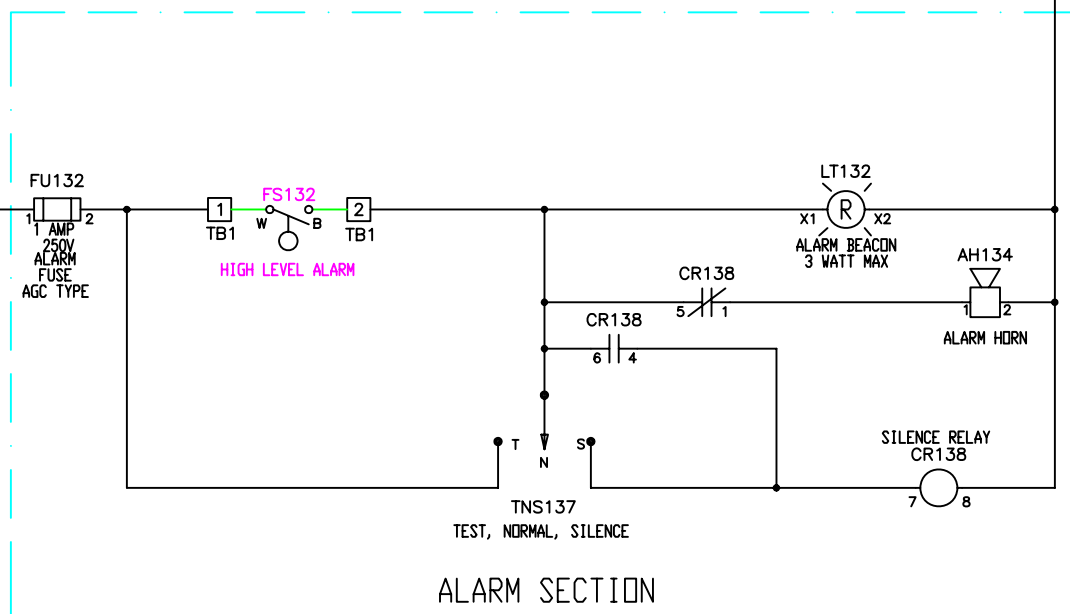


TIMER (REPEAT CYCLE)

□	1 3
⊢	116
⊣	1 4
⊥	

MOTOR CONTACTOR

□	L1-2/T1-2
⊢	105
⊣	L3 T3
⊥	

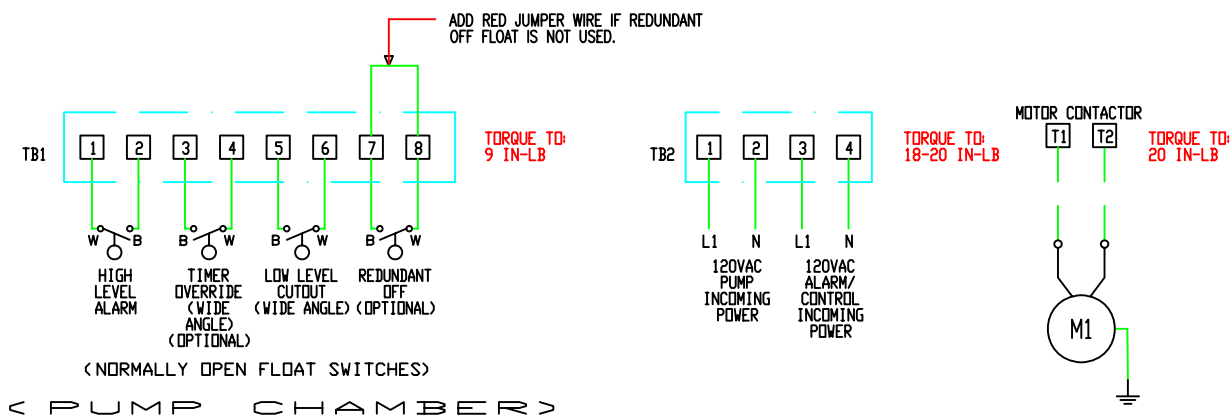


SILENCE RELAY

□	6 0 0 3
⊢	135
⊣	6 0 0 3
⊥	134

CONTROL SECTION

ALARM SECTION



MAIN DISCONNECT AND OVERLOAD PROTECTION PROVIDED BY OTHERS AND MUST BE SIZED ACCORDING TO PUMP/MOTOR MANUFACTURING SPECIFICATIONS.

THE USE OF SEPARATE POWER SOURCES FOR PUMP AND ALARM ARE RECOMMENDED

TEMPERATURE RATING OF FIELD INSTALLED CONDUCTORS MUST BE AT LEAST 140 DEG. F. (60 DEG. C.). TERMINAL STRIPS AND GROUND LUG USE COPPER CONDUCTORS ONLY.

CONNECT GROUND LUG IN PANEL TO A SECURE EARTH GROUND

DASHED LINES REPRESENT FIELD WIRING

FIELD WIRING SECTION

ACTUAL MODEL NUMBER ORDERED

TD1W9*4(H,X)*

				NOTICE: THIS DRAWING CONTAINS PROPRIETARY INFORMATION AND IT SHALL NOT BE USED OR REPRODUCED OR ITS CONTENTS DISCLOSED IN WHOLE OR IN PART, WITHOUT PRIOR WRITTEN CONSENT.										
REV. CTRL. FDR: 1010438	E	C002360	1/05	GDV	RMS	DRWN BY	DATE	CHKD BY	DATE	APPD BY	DATE	PROJECT NO. 1010540	QUOTE NO. N/A	REV. E
	D	C001714	5/03	GDV	KLC		CRM		01/10/00		RMS			
	C	C001090	9/01	GDV	RMS									
	B	C000939	6/01	GDV	RMS									
	A	C000689	01/01	CRM	APPD									
REV	ECD NO.	DATE	DRWN	APPD	DEM NAME N/A		DEM P/N N/A		PAGE 1 of 1	SCALE NONE	DWG SIZE D	TITLE LIT, RH, SCHEM (SEE ABOVE)		