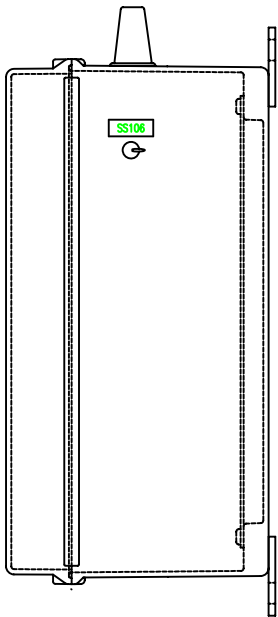
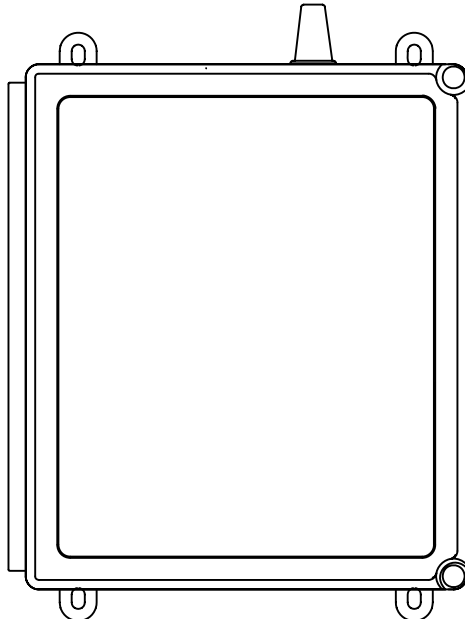


SYSTEM ALARM
SILENCE-NORMAL-TEST

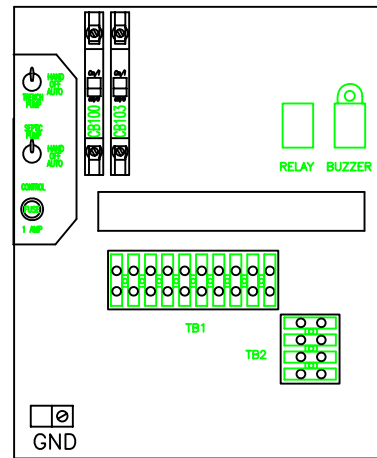
SS106



RIGHT SIDE VIEW

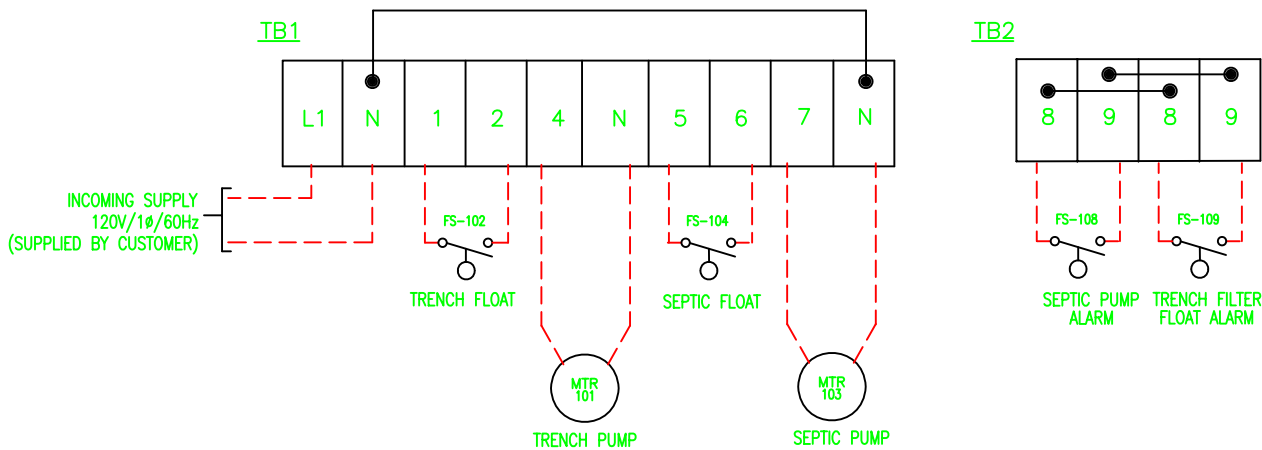


NEMA 4X FRP ENCLOSURE 12" X 10" X 6"



BACK PLATE

FIELD WIRING CONNECTIONS



9					<p>IDT Systems Inc INNOVATIVE DESIGN TECHNOLOGIES</p> <p>TITLE: WATERLOO BIOFILTER ELECTRICAL SCHEMATIC DRAWING FOR DUPLEX DOSING CONTROL SYSTEM</p>	DESIGNED BY	BIAB	
8				DATE		28APRIL04		
7				APPROVED BY		B. BROHMAN		
6				SCALE		N.T.S.		
5				CAD REF:		DUPLEX-E-001		
4				SHEET NO		SHEET 1 OF 1		
3				CUSTOMER		WATERLOO BIOFILTER		
2				REF:				
1								
REP:	DESCRIPTION	DATE	BY	CHD	DWG. NO.	DUPLEX-E-001	REV	1