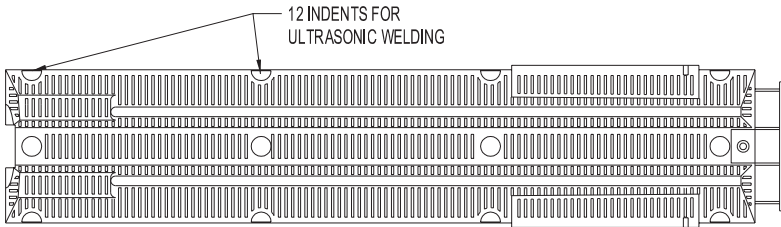


FRONT VIEW

OPTIONAL FLOAT SWITCH

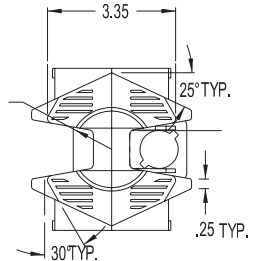
HOLE TO EXCEPT
1/2" SHCD, 40 PIPE
FOR HANDLE .

TOP VIEW



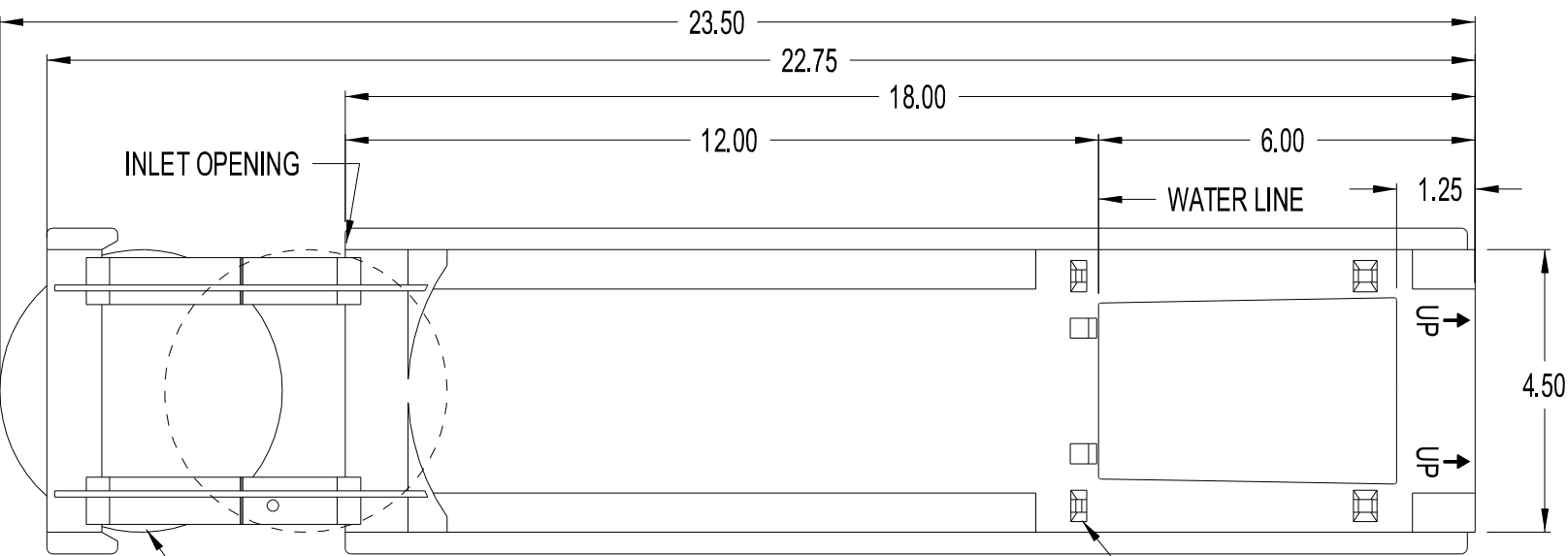
SIDE VIEW

R 1.09
2 RIBS TO KEEP
BALL IN POSITION



BOTTOM VIEW

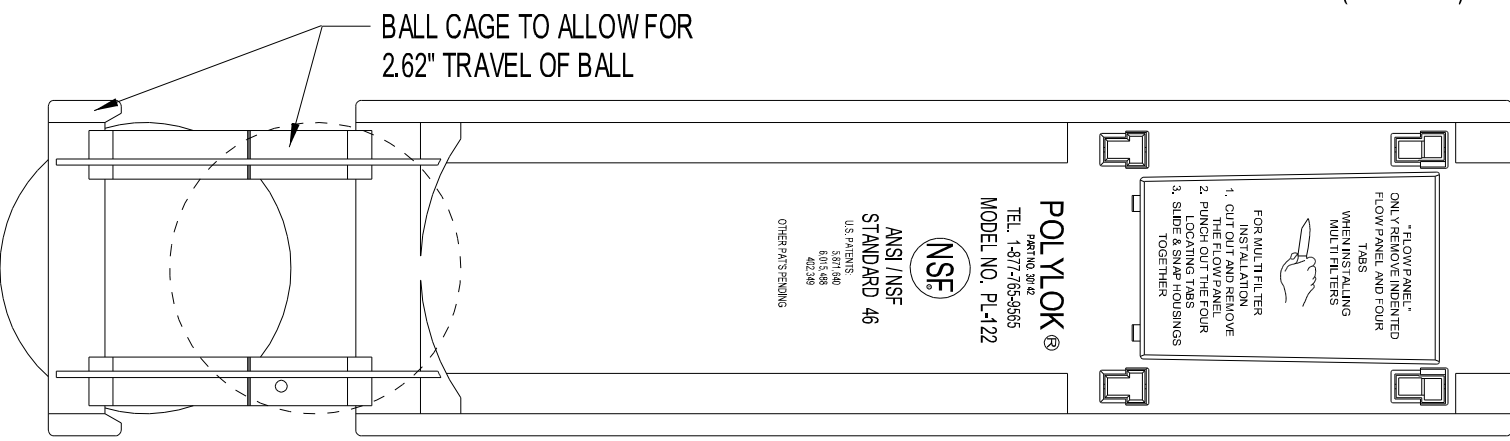
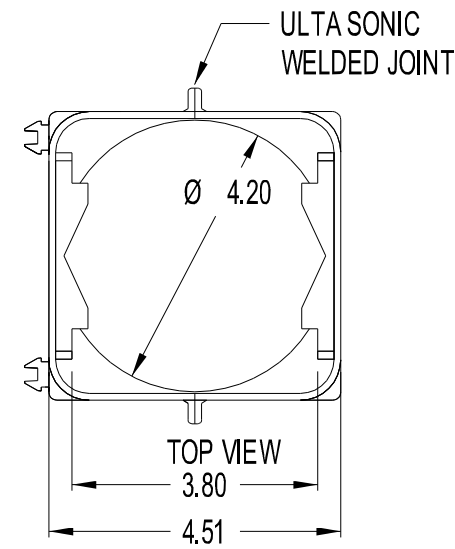
PL-122 FILTER CARTRIDGE
PART NO. - 30141
MATERIAL - POLYPROPYLENE



FRONT VIEW

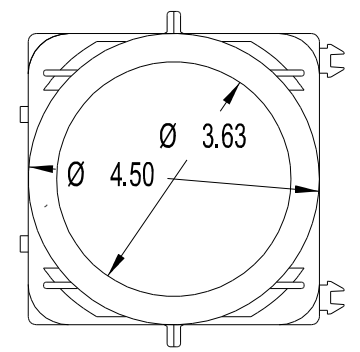
4 1/2" DIA. POLYETHYLENE
HERMETIC BALL

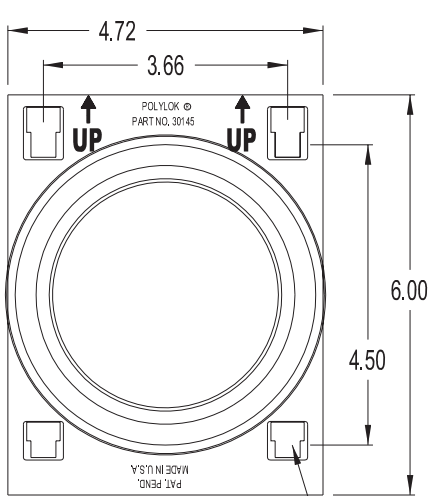
4 CLIPS TO RECEIVE PART NO.
30145 (PIPE ADAPTER)
30144 (B.R. ADAPTER)
30142 (HOUSING)



BACK VIEW

PL-122 HOUSING
PART NO. - 30142
MATERIAL - POLYPROPYLENE

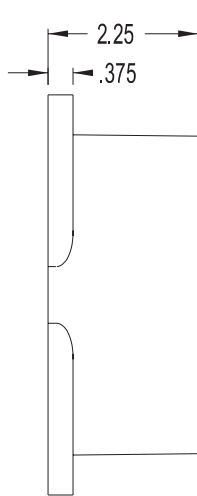




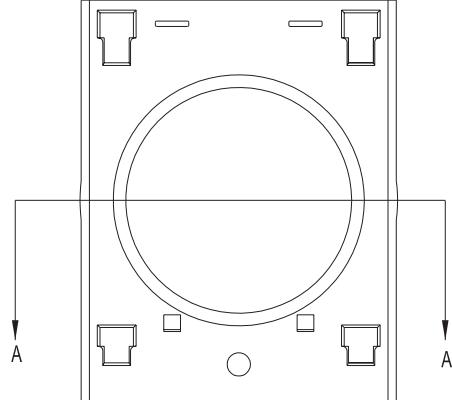
TOP VIEW

4 THRU HOLES TO ALLOW FOR
SNAP FIT ON PRT. # 30142

PL-122 PIPE ADAPTER
PART NO. - 30145
MATERIAL - ABS



SIDE VIEW

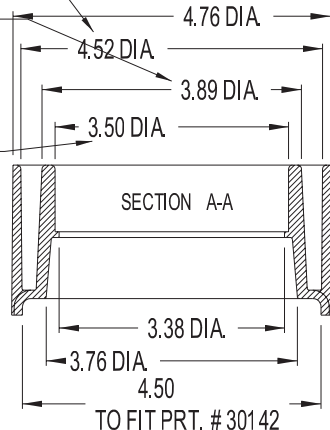


BOTTOM VIEW

TO SOLVENT WELD
4" SCHD. 40 PVC PIPE

TO SOLVENT WELD
4" SDR 35 PVC OR OTHER
4" THIN WALL PVC PIPE
(INTERNALLY)

TO SOLVENT WELD
3" SCHD. 40 PVC PIPE



TO FIT PRT. # 30142