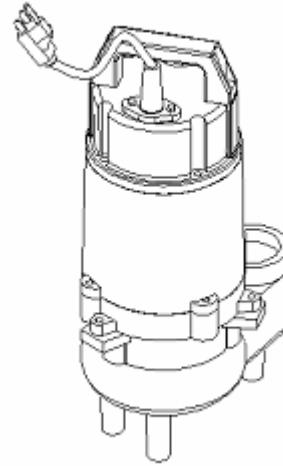




# WSV50H – Product Introduction

WSV – 1/2 HP Vortex Effluent Pump  
3/4" Spherical Solids Handling



### Size

2" NPT Female Vertical Discharge

### Shaft Seal

Carbon Ceramic seal faces with BUNA N Elastomers

### Motor Design

60HZ, 1/2 HP, 3450 RPM. Single Phase Permanent Split Capacitor design with Thermal Overload Protection. Stainless Steel Shaft. Oil Free Design

### Impeller

Cast Iron, Multi-vane **Vortex**

### Bearings

All Monarchs' wastewater product use sealed ball bearing for both upper and lower bearing. Superior design provides protection against radial and thrust loads.

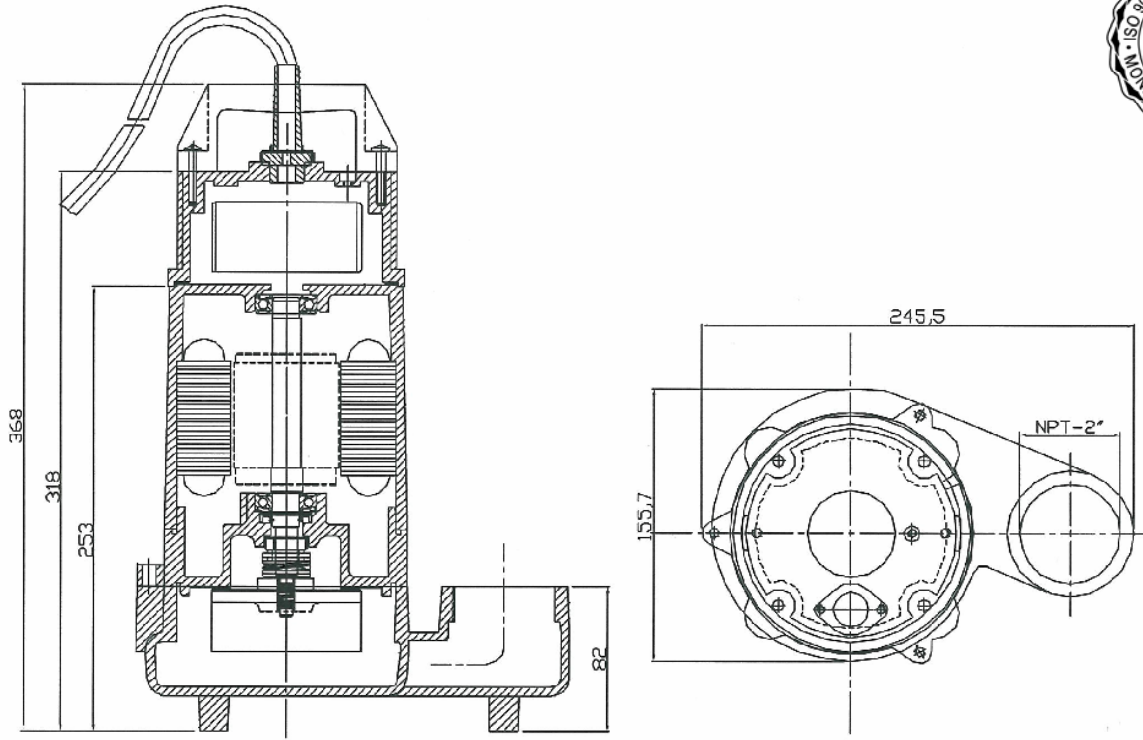
### Castings

The motor housing, pump volute, and seal plate are all manufactured with Cast Iron ASTM A-48 Class 30 for longevity in wastewater Applications.

VORTEX SUBMERSIBLE EFFLUENT PUMPS - Automatic and Manual									
MODEL No.	Order No.	HP	VOLTS	FLA	PH	SOLIDS HANDLING	SHIP WT. (lbs.)	SWITCH	CORD LENGTH
WSV50HM	620238	1/2	115 V	10.2	1	3/4"	36	Manual	20'
WSV50HAM	620239	1/2	115 V	10.2	1	3/4"	38	Auto	20'



# WSV50H – Product Introduction



**MONARCH WSV50H Performance Chart**  
**3/4" Solids Handling Vortex Effluent Pump**

